

4

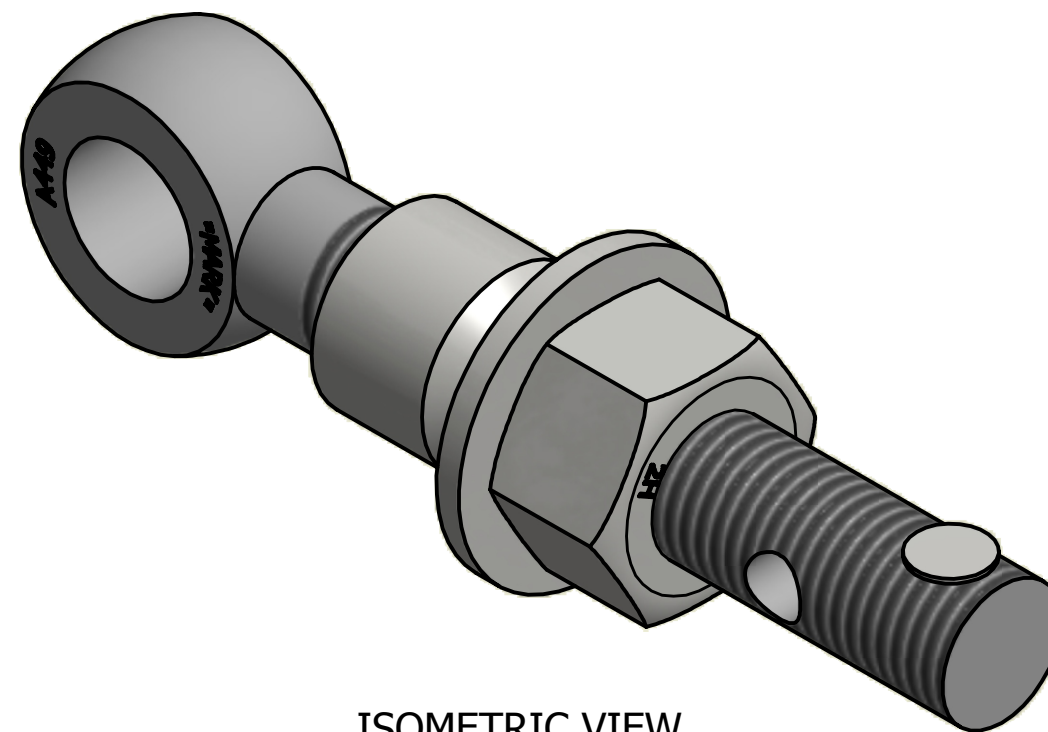
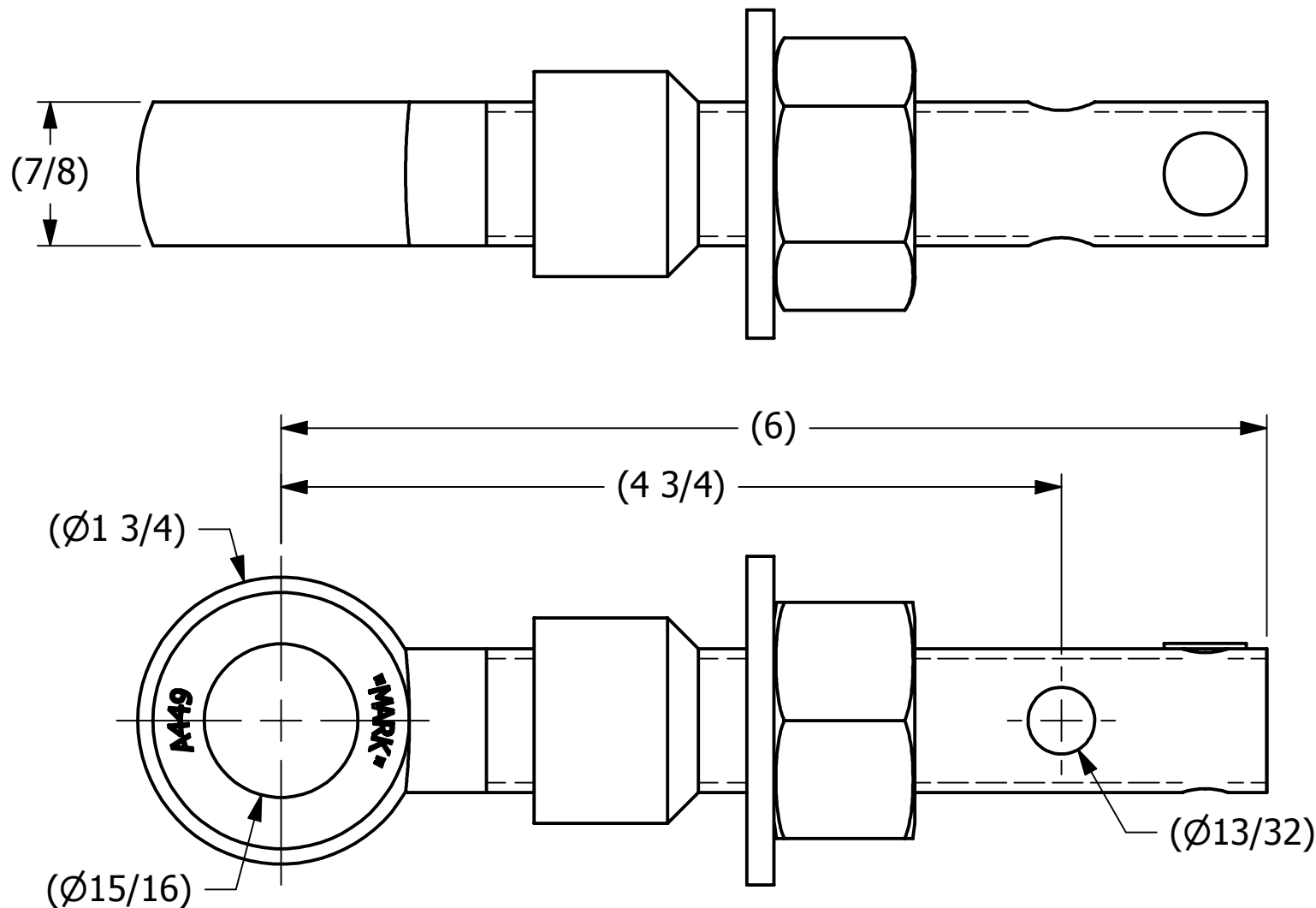
3

2

1

B

B



SALES DRAWING

SALES DRAWING

B	RJP	10-30-15	UPDATED MARKING & TITLE BLOCK
A	CHL	4-29-10	NEW PART ADDED TO SYSTEM
REV	BY	DATE	DESCRIPTION

<small>UNLESS OTHERWISE SPECIFIED DIMENSIONAL TOLERANCES</small> FRACTIONAL: $\pm 1/16$ X.XX: $\pm .03$ X.XXX: $\pm .015$ ANGULAR: $\pm 1^\circ$ <small>DEBURR ALL SHARP EDGES. ALL MACHINED SURFACES TO HAVE A 125 RMS FINISH UNLESS NOTED OTHERWISE.</small>	DRAWN BY:	CHL
	CHECKED BY:	VD
	PROTOTYPE BY:	CHL
	PROTOTYPE DATE:	4/1/2010
	APPROVED FOR PRODUCTION BY:	VD
THIRD ANGLE PROJECTION	PRODUCTION DATE:	4/29/2010

SALCO PRODUCTS, INC.		
PART NAME: EYEBOLT ASSEMBLY 7/8"X6"		
MATERIAL: CARBON STEEL, ASTM A449 TYPE 1		
PROJECT #: WAG0801	SHEET #: 1 OF 1	SCALE: 1:1
DRAWING #: B28427	PART #: EB786XHFTAG5TC3	

THIS PRINT, PROPERTY OF SALCO PRODUCTS INC., CONTAINS PROPRIETARY INFORMATION AND MUST NOT BE COPIED, REPRODUCED, OR USED DETRIMENTALLY TO OUR INTEREST.

4

3

2

1

A

A